



GLD Great Light

TY30W/50W60W/80W/100W LED GARDEN LIGHT

●Product Features

1. The lamp adopts die-cast aluminum to improve heat dissipation efficiency. The surface is electrostatically sprayed with polyester plastic powder, anti-ultraviolet radiation, and has strong anti-corrosion capabilities. The appearance is beautiful and high-grade, it is integrated with modern business and life scenes;
2. The light-transmitting cover of the lamp is made of high-light-transmitting PC material, which does not fog or frost, and the lighting effect is soft. The overall lighting efficiency is improved by the lens refraction, and the purpose of energy saving is achieved;
3. High lumen output, high CRI, multi-color temperature, to meet a variety of lighting needs;
4. The whole lamp adopts 304 stainless steel fasteners, which is impact resistant, strong shock resistance, and the IP class is IP65.

● Parameters

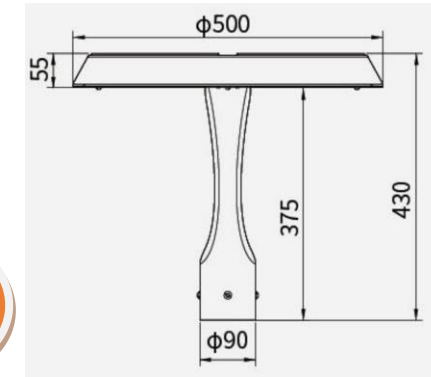
Model	Power(w)	Input voltage	LED ChipType	Light Efficiency	Optical Lens	CCT	CRI	PF	Insulation Class	Size: L*W*H(mm)	IP	Working TEMP	Life
GLD500S-TY100	30~100	100-265/50/60Hz	OSRAM /PHILIPS	120~130Lm/w	T5	2700-6000K	>70&80	≥95	Class I	φ 500H430	IP65	-40°C~ + 50°C	50000H

●Points to note

1. Please use the correct power supply
2. The use of voltage can not exceed the specified range
3. Please read the product installation manual carefully before using

GLD Great Light all rights reserved. GLD Great Light does not make any representations or warranties regarding the accuracy or completeness of the information contained in this document, responsible for any actions made by this file information. The information provided in this document does not constitute any commercial agreement, nor does it form part of any quotation or contract, unless agreed by GLD.

GLD & NORTHLATITUDE66° is the trade mark of Changzhou gld photovoltaic technology co . ,ltd.



●Applicable place

Parks, courtyards and high-grade residential quarters, both sides of the road, commercial pedestrian streets, leisure squares, etc.

GLD500S-TY100

www.czgld-led.com

